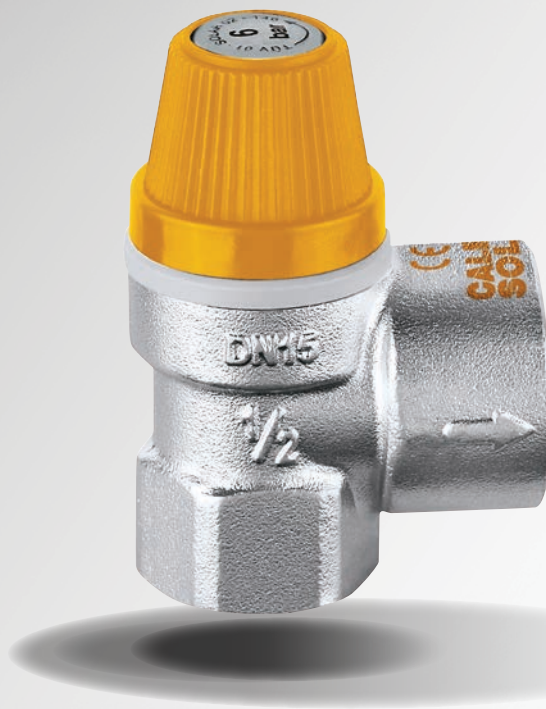




SOLAR RELIEF VALVE

15MM

CALEFFI
Hydronic Solutions



RELIEVES EXCESSIVE PRESSURE IN SOLAR SYSTEMS

FUNCTION AND FEATURES

- | | |
|------------------------------|--|
| ■ Suitable for solar systems | ■ Control Knob for testing seat relief |
| ■ Compact design | ■ Larger outlet for steam expansion |
| ■ No maintenance required | ■ Chrome plated |

PRODUCT DETAILS

These safety relief valves are used to control pressure in the primary circuits of solar heating systems.

When the calibrated pressure is reached, the valve opens to release the fluid into the atmosphere and prevents the pressure in the system from reaching levels that might damage the solar collectors and equipment installed.

These particular series of products have been specially made and certified to work at high temperature with a glycol medium.

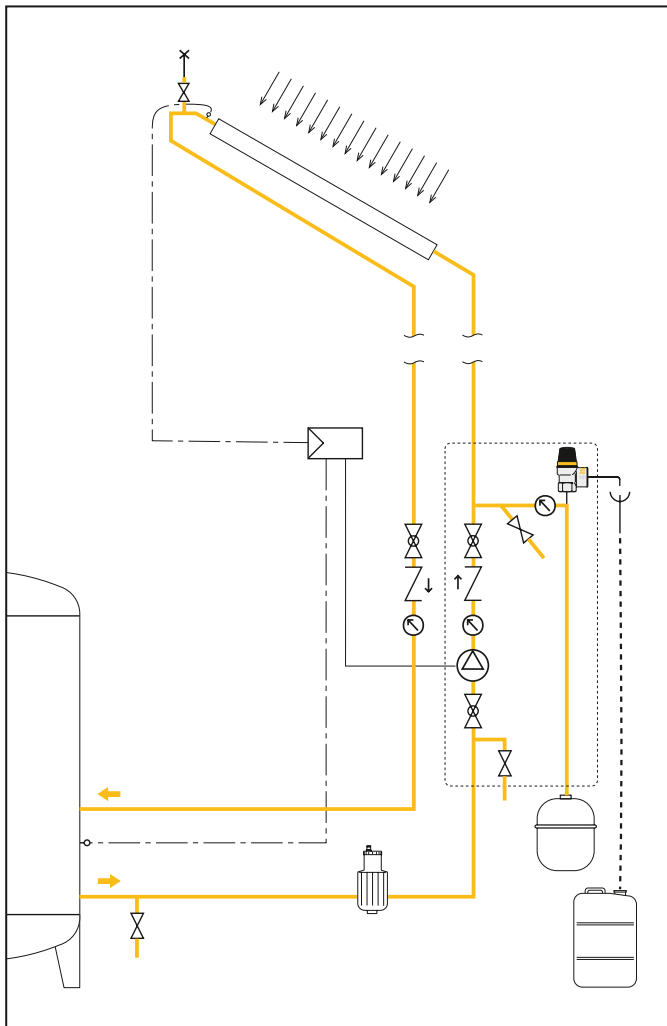


PERFORMANCE

MEDIUM	Water, glycol
MAX GLYCOL	50%
MAX WORKING PRESSURE	1000kPa
TEMPERATURE RANGE	-30 - 160°C
OPENING OVERPRESSURE	10%
CLOSING DIFFERENTIAL	20%
DISCHARGE CAPACITY	50kW

CODE	253043	253044	253046	253048	253040
PRESSURE (BAR)	3 bar	4 bar	6 bar	8 bar	10 bar
PRESSURE (KPA)	300kPa	400kPa	600kPa	800kPa	1,000kPa

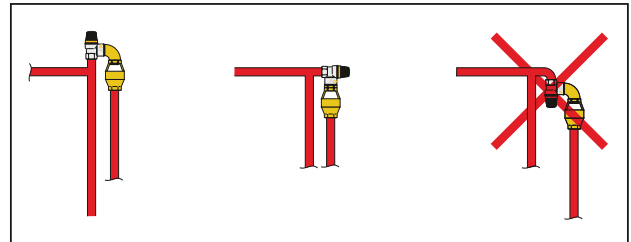
APPLICATION DIAGRAM



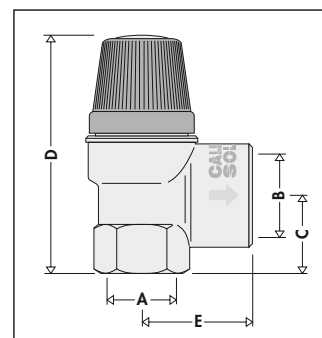
INSTALLATION

The safety relief valves for solar systems must be installed near the point in the circuit where the system is filled, before expansion vessel. Make sure that there are no shut-off devices between the valve and the rest of the system.

The safety relief valves can be fitted vertically or horizontally, but not upside down. This prevents deposits of impurities from affecting correct functioning.



DIAGRAM



CODE	25304.
A	1/2"
B	3/4"
C	24
D	70
E	33.5
Weight(kg)	0.22

**CALEFFI
SOLAR**



**All Valve
INDUSTRIES**

171013-01