



# BALANCING & FLOW METER

20MM

**CALEFFI**  
Hydronic Solutions



## *REGULATES FLOW OF SOLAR HOT WATER CIRCUITS*

### FUNCTION AND FEATURES

- |  |  |
|--|--|
| ■ Ensures correct flow to solar panels         | ■ Quality Italian made product               |
| ■ Improves efficiency of multi-circuit systems | ■ Easy flow adjustment without special tools |
| ■ Complete with insulation for low heat losses | ■ Rated up to 130°C for solar systems        |

## PRODUCT DETAILS

The balancing valve is an hydraulic device that accurately regulates the flow rate of heating medium supplied to the various circuits of solar thermal systems.

This particular series of valves is equipped with a flow meter for a direct reading of the regulated flow rate. The flow meter, allows a fast and easy balancing of circuits without the need of differential pressure gauges or diagrams.

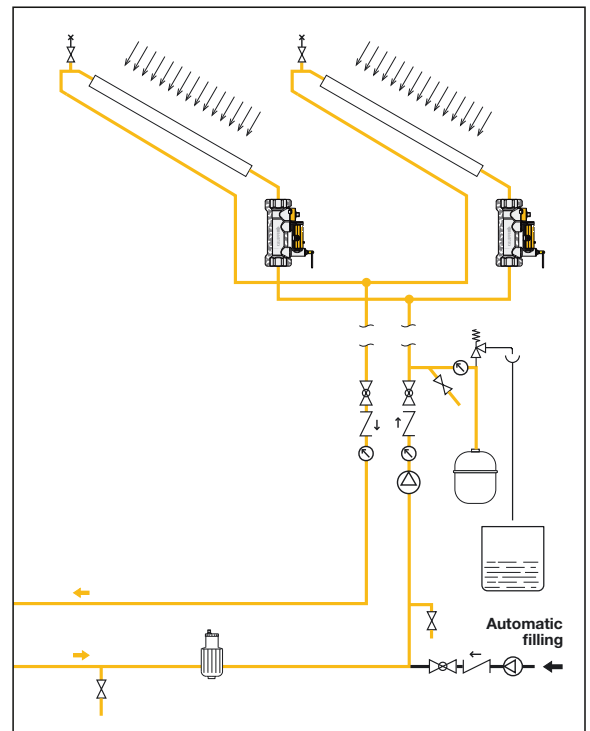
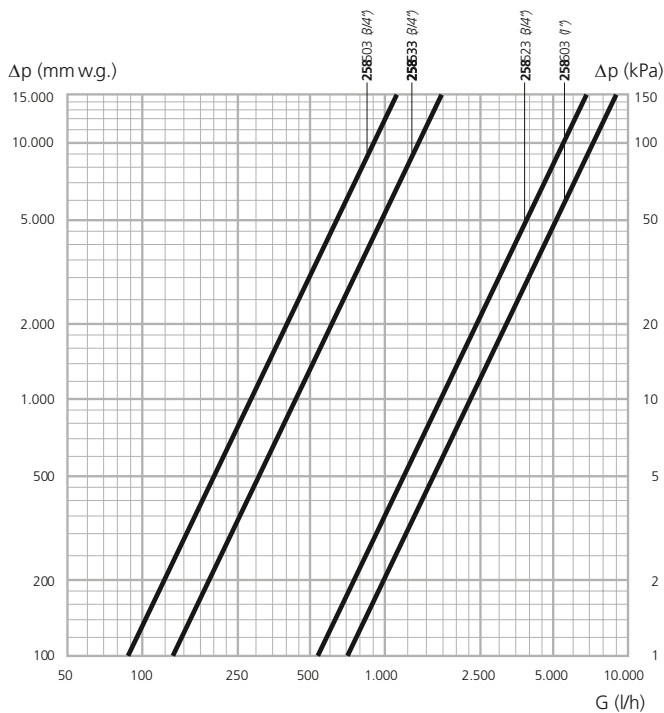
The balancing valve is equipped with insulation to ensure a perfect thermal performance and has been specifically designed to work with glycol solutions at high temperatures, typical conditions of solar thermal systems.



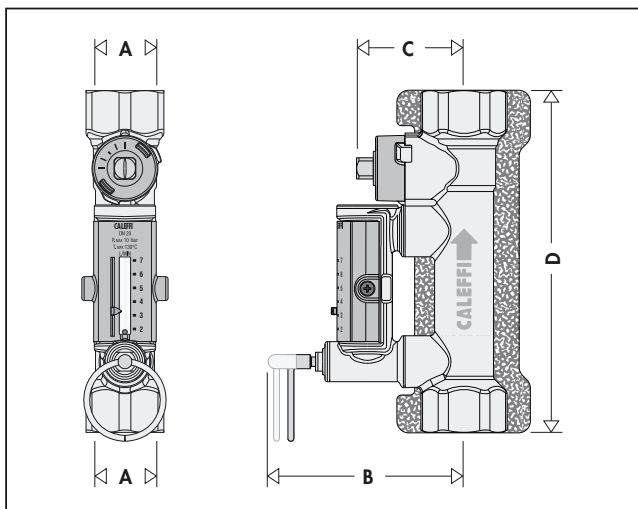
### PERFORMANCE

MEDIUM	Water / Glycol (50% max)
MAX WORKING PRESSURE	1000kPa
WORKING TEMP RANGE	-30°C - 130°C
FLOW RATE SCALE	l/min
ACCURACY	±10%
CONNECTION	3/4" and 1" F

## FLOW DIAGRAM



## DIMENSIONS



CODE	258503	258523	258603
FLOW	2 - 7 l/m	7 - 28 l/m	10 - 40 l/m
A	20mm	20mm	25mm
B	83.5	83.5	85
C	45.5	45.5	47
D	145	145	158
WEIGHT	0.74	0.74	0.96



**All Valve**  
INDUSTRIES

171013-01