



HYDRONIC MIXING VALVE

25MM



MIXES WATER FOR UNDERFLOOR HEATING SYSTEMS

FUNCTION AND FEATURES

- | | |
|---|----------------------------------|
| ■ Available in 25mm | ■ Suitable for non-potable water |
| ■ Superior flow rates | ■ Quick and easy to set |
| ■ 20kPa - 500kPa dynamic pressure range | ■ Superior temperature stability |

PRODUCT SPECIFICATIONS

The 5219 series tempering valve is typically used in underfloor hydronic heating systems. Its function is to maintain the temperature of the mixed water supplied to the user constant at the set value when there are variations in the conditions of the hot and cold water at the inlet.

This valve is not approved as a tempering valve or thermostatic mixing valve and should only be used in non-potable applications such as underfloor heating. They are not supplied with inlet check valves.

TECHNICAL SPECIFICATIONS

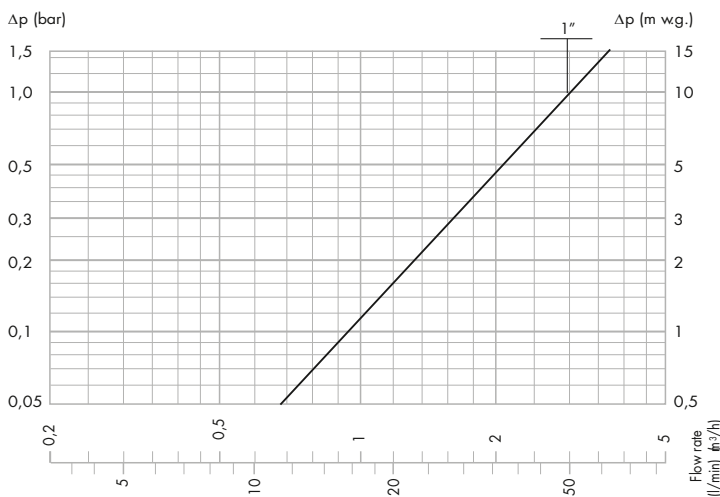
TEMPERATURE ADJUSTMENT RANGE	35-65°C
TEMPERATURE CONTROL	± 2°C
COLD INLET TEMPERATURE RANGE	5-30°C
HOT INLET TEMPERATURE RANGE	55-90°C
MAXIMUM WORKING PRESSURE (STATIC)	1000kPa
DYNAMIC PRESSURE RANGE	20-500kPa
MAXIMUM UNBALANCED SUPPLY PRESSURE	2:1
MINIMUM FLOW RATE	6 l/min

* Not supplied with inlet non-return valves

CODE	CONN.
521936	25mm



PRESSURE LOSS CHART



TEMPERATURE ADJUSTMENT

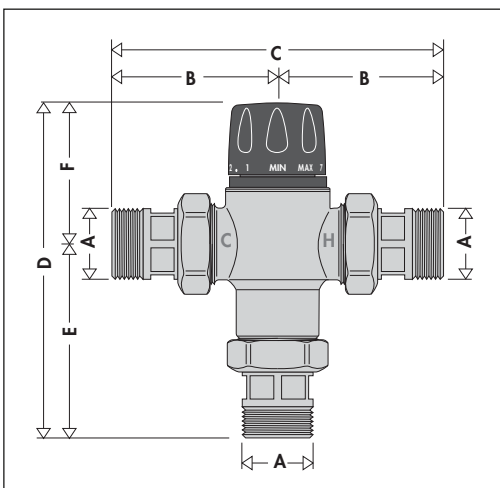
The temperature is set at the desired value using the control knob with the graduated scale on the valve.

Pbs.	Min	1	2	3	4	5	6	7	Max
25mm (°C)	35	38	41	45	50	53	56	60	65

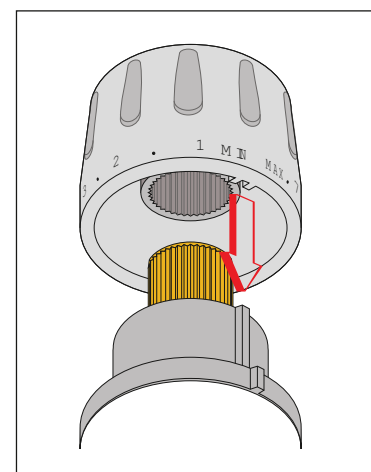
LOCKING THE SETTING

Turn the knob onto the required number, unscrew the upper screw, remove the knob and put it back on so that the internal reference couples with the protrusion on the knob holder nut.

DIAGRAM



CODE	521936
A	25mm
B	83.5
C	167
D	173
E	100.5
F	72
WEIGHT	1.2kg



CALEFFI
Hydronic Solutions

280712-01