



AUTOMATIC FILLING UNIT

15MM

CALEFFI
Hydronic Solutions



AUTOMATICALLY REFILLS CLOSED LOOP SYSTEMS

FUNCTION AND FEATURES

- | | |
|---|--|
| ■ Tops up system to preset pressure | ■ Pressure gauge optional |
| ■ Integrated non-return and isolating valve | ■ Union end on inlet side |
| ■ Adjustable from 20 - 400kPa | ■ May be used as pressure reducing valve |

PRODUCT DETAILS

The automatic filling unit is a device consisting of a pressure reducing valve with compensating seat, an inlet filter, a shut-off valve and a check valve. It is installed on the water inlet piping in sealed heating systems, and its main function is to maintain the pressure of the system stable at a set value, automatically topping up with water as required.

This product has the characteristic of being pre-adjustable, which means that it can be adjusted at the required pressure value before the system charging phase.

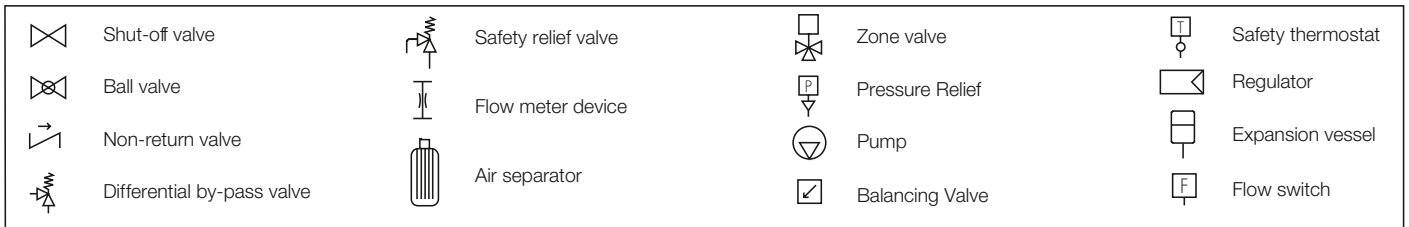
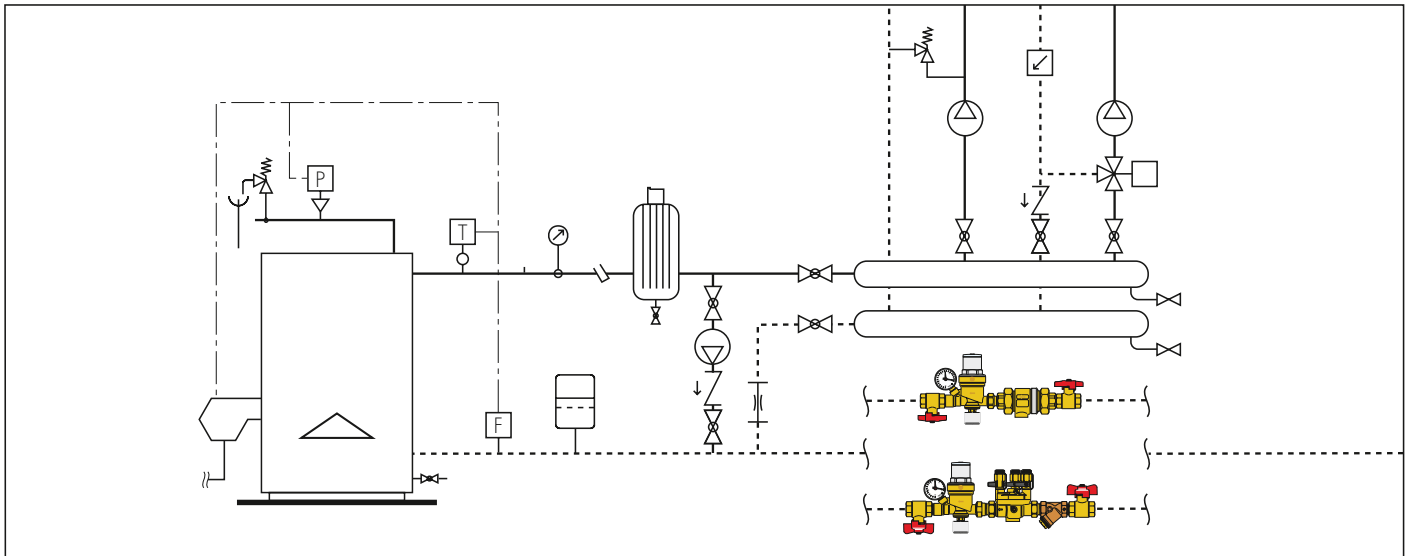
After installation, during the filling or topping-up phase, the water feed will stop when the set pressure is reached.

A pre-assembled version is also available, complete with upstream backflow preventer and shut-off valve.

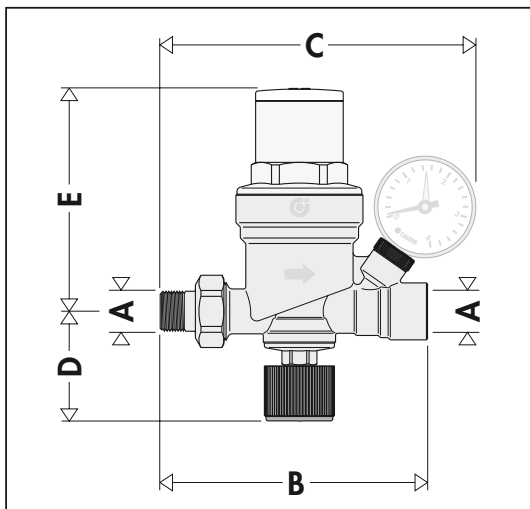
PERFORMANCE

MAXIMUM INLET PRESSURE	1,600kPa
PRESSURE ADJUSTMENT RANGE	20 - 400kPa
FACTORY SETTING	150kPa
INDICATOR ACCURACY	±15kPa
MAXIMUM WORKING TEMPERATURE	65°C
PRESSURE GAUGE RANGE	0-400kPa

APPLICATION DIAGRAM

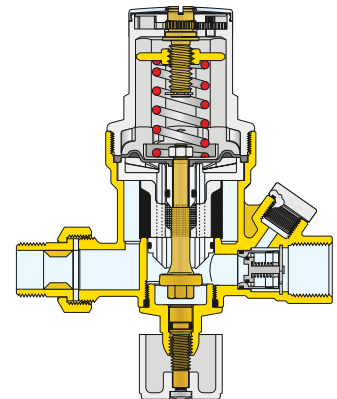


DIAGRAM



CODE	553540	553640
A	15mm	15mm
B	122	122
C	-	152
D	50	50
E	101.5	101.5
WEIGHT	0.70 kg	0.70 kg

* NOTE 553540 CODE HAS NO GAUGE INCLUDED



All Valve
INDUSTRIES

171013-01